

RAISING EXPECTATIONS:

California's 2014 Long-Term Services and Supports Scorecard Results

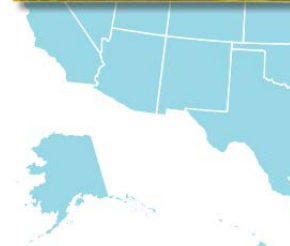
Gretchen E. Alkema, Ph.D.
VP, Policy & Communications

RAISING EXPECTATIONS

2014
SECOND EDITION

A State Scorecard on Long-Term Services and Supports for Older Adults,
People with Physical Disabilities, and Family Caregivers

Susan C. Reinhard, Enid Kassner, Ari Houser, Kathleen Ujvari, Robert Mollica, and Leslie Hendrickson



www.longtermscorecard.org

What are Long-Term Services & Supports?

Non-medical
functional support

Help with ADLs
(e.g., bathing)
& IADLs
(e.g., shopping)

Received in a
home or
institutional setting

Provided by paid
&/or unpaid
caregivers

What are Long-Term Services & Supports?

Non-medical
functional support

Help with ADLs
(e.g., bathing)
& IADLs
(e.g., shopping)

Received in a
home or
institutional setting

Provided by paid
&/or unpaid
caregivers

What are Long-Term Services & Supports?

Non-medical
functional support

Help with ADLs
(e.g., bathing)
& IADLs
(e.g., shopping)

Received in a
home or
institutional setting

Provided by paid
&/or unpaid
caregivers

What are Long-Term Services & Supports?

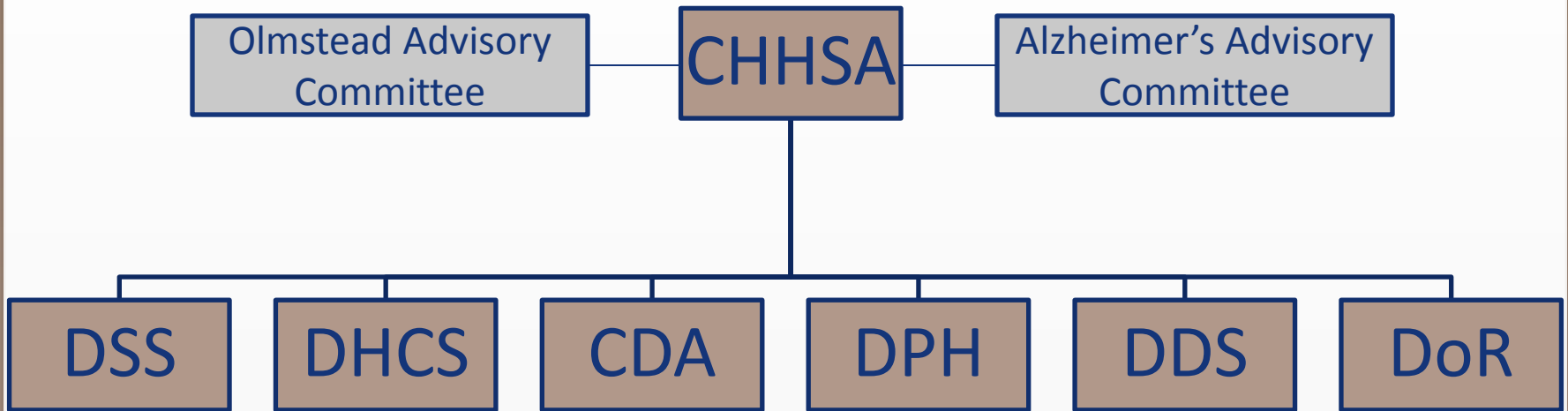
Non-medical
functional support

Help with ADLs
(e.g., bathing)
& IADLs
(e.g., shopping)

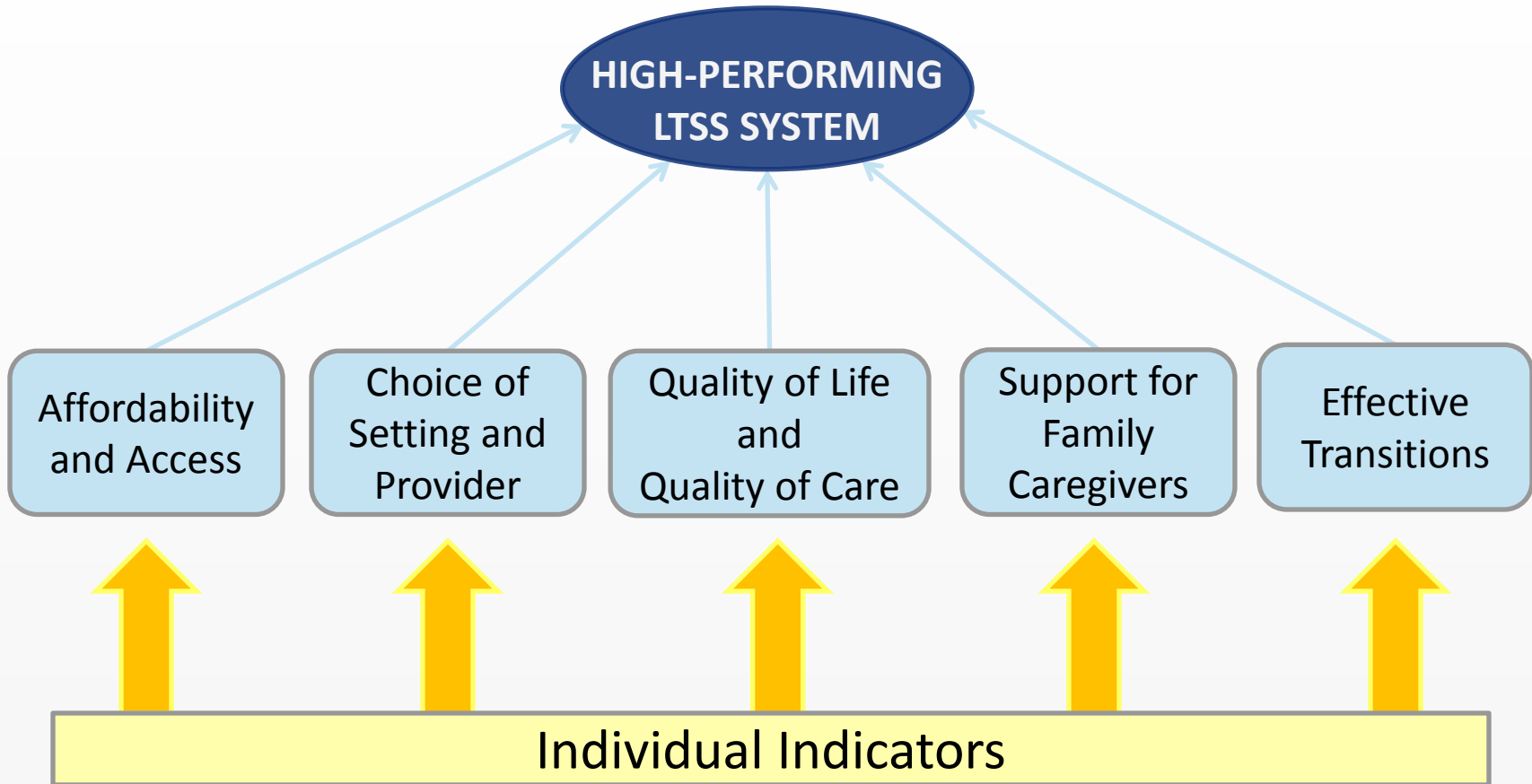
Received in a
home or
institutional setting

Provided by paid
&/or unpaid
caregivers

Departments Involved in LTSS

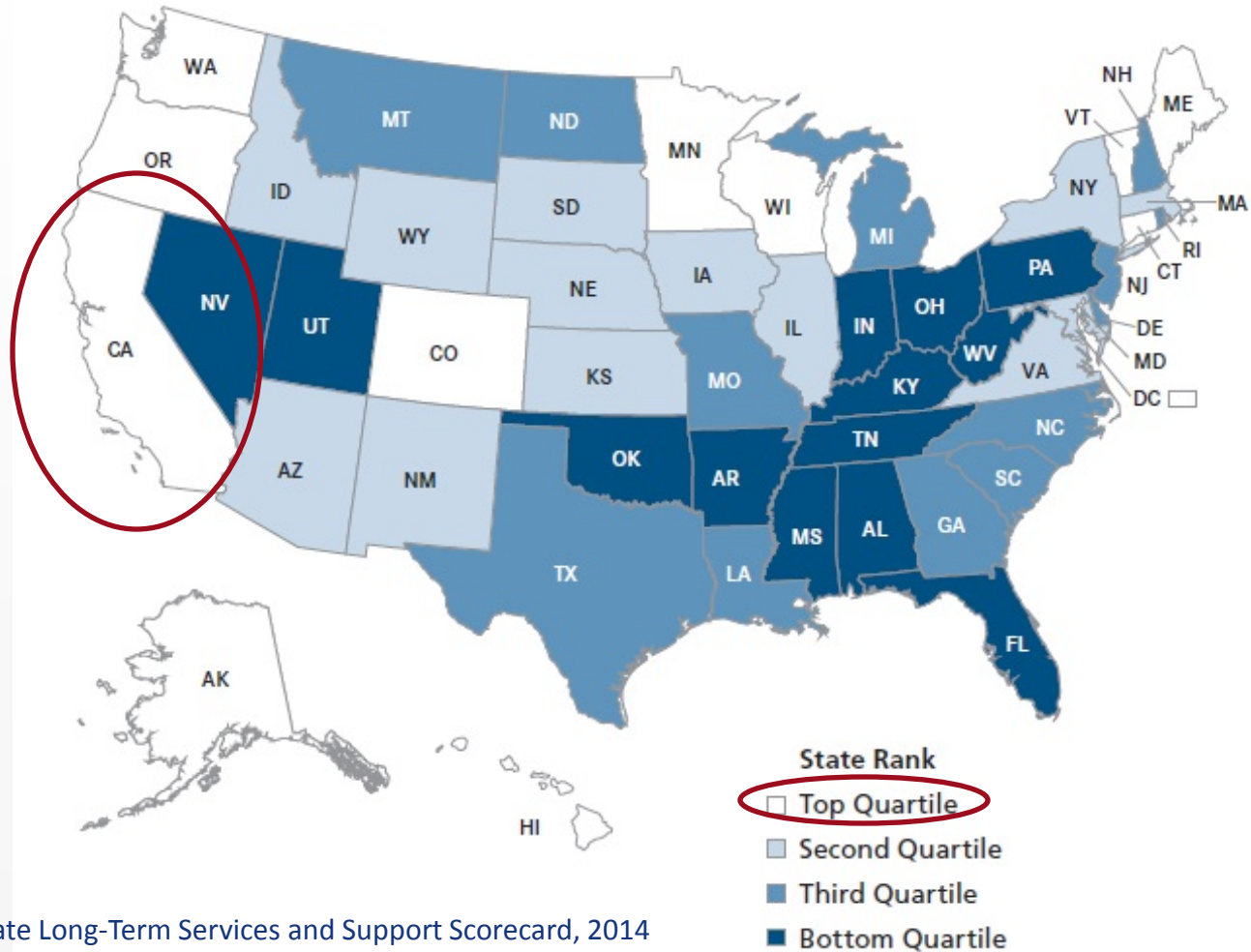


Framework for Assessing LTSS System Performance



Source: State Long-Term Services and Support Scorecard, 2014

State Ranking on Overall LTSS System Performance



Source: State Long-Term Services and Support Scorecard, 2014

California's Ranking

Overall Rank	9
Affordability & Access	14
Choice of Setting & Provider	2
Quality of Life/Quality of Care	24
Support for Family Caregivers	24
Effective Transitions	22

Source: State Long-Term Services and Support Scorecard, 2014

TSF Policy Recommendations

- **Continue Action on Universal Assessment**
- **Elevate the Value of Care Coordination**
- **Create Bill of Rights for Dually Eligible Californians**
- **Bolster Support for California's Unpaid Caregivers**
- **Improve LTSS Affordability**

Where to Find the Scorecard?

www.longtermscorecard.org

Our Vision: *A society where older adults can access health and supportive services of their choosing to meet their needs.*

Our Mission: *To advance a coordinated and easily navigated system of high-quality services for older adults that preserve dignity and independence.*

Sign up to receive email alerts

at

www.TheSCANFoundation.org



Follow us on Twitter

@TheSCANFndtn



Find us on Facebook
The SCAN Foundation